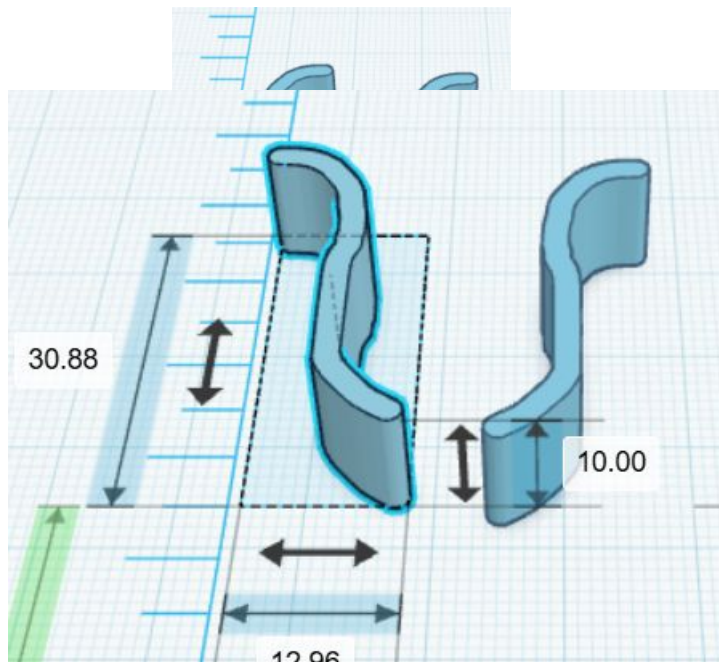
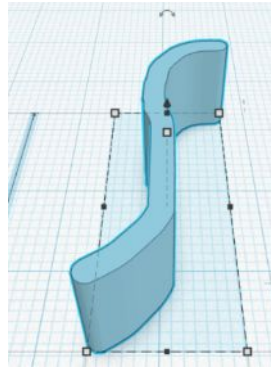



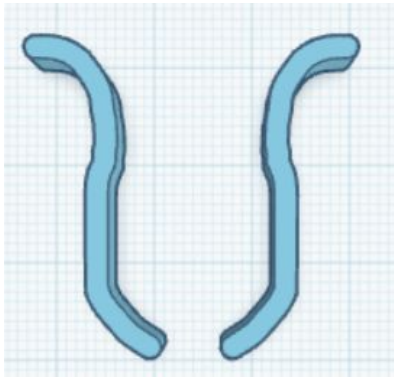
1. Use the Scribble tool  to create a basic vase shape.
2. Copy this shape




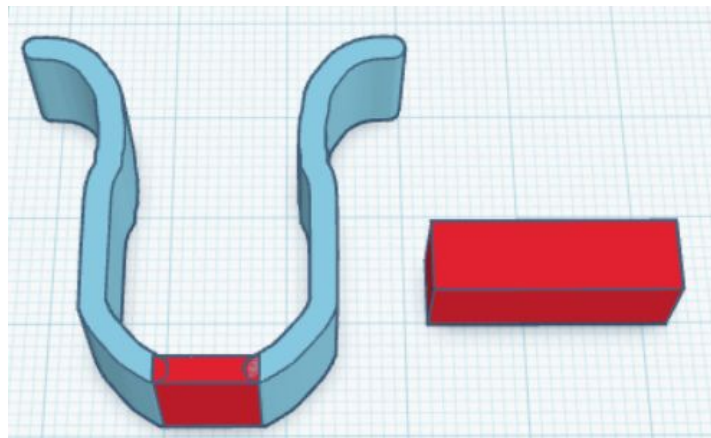
3. Use the tool  and arrow  to mirror the copied object.

4. Tap the Top view icon 

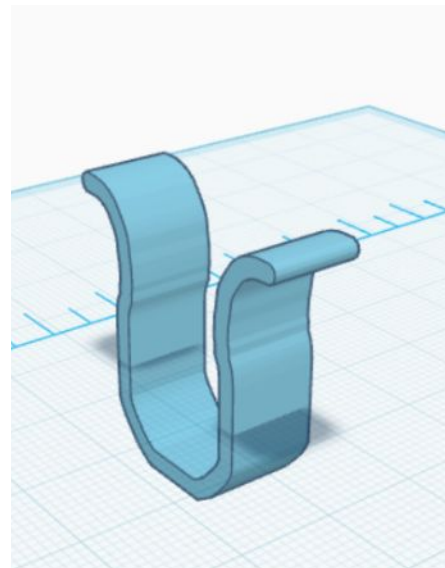
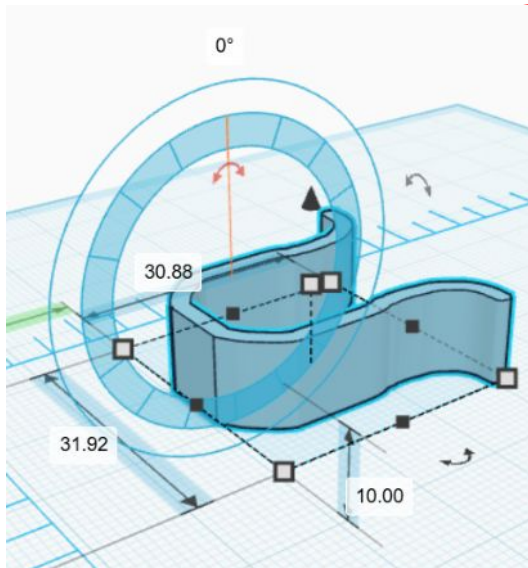
- Place the objects symmetrically and align, you can use the alignment icon 



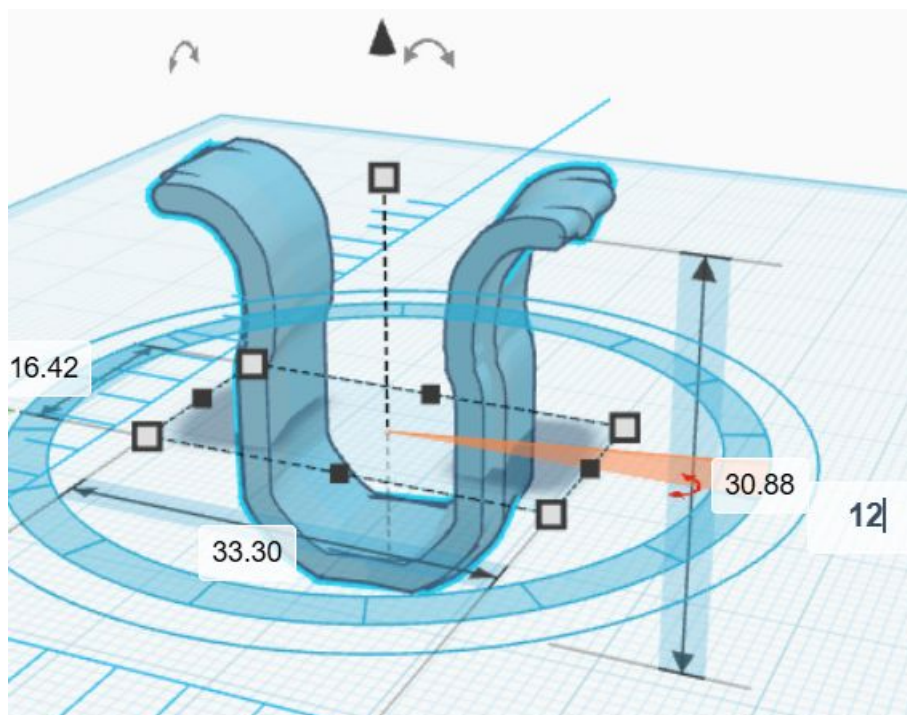
5. Add a box as the bottom and adjust the height, width, and length, then group .




6. Mark the object and rotate in 90 degrees.



7. Select the object and tap Copy - Duplicate  and rotate it 12 degrees.



8. Tap Copy - Duplicate again several times  until the entire vase is created.
9. Select the entire object, and then just group it.

